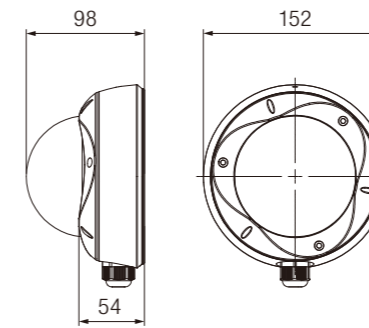


N50

MEGAPIXEL FIXED DOME

DIMENSIONS (Unit:mm)



SPECIFICATIONS

Model	N50Q-MD	N50U-ML	N50A-ML
Image Sensor	1/3" 3 MP	1/2.8" 2 MP	1/3" 1.3 MP
WDR	Dual-shutter, up to 110dB	N/A	
Num. of Effective Pixels	2048 x 1536 HxV	1920 x 1080 HxV	1280 x 1024 HxV
Lens	3x Optical Zoom: 3~9 mm, F1.2	N50U-ML 3x Optical Zoom: 3~9 mm, F1.2 N50U-ML 2.5x Optical Zoom: 9~22 mm, F1.6	N50A-ML 3x Optical Zoom: 3~9 mm, F1.2 N50A-ML 2.5x Optical Zoom: 9~22 mm, F1.6
F.O.V. (Horizontal)	96° (Wide)~31° (Tele)	N50U-ML 3x Optical Zoom: 90° (Wide)~30° (Tele) N50U-ML 2.5x Optical Zoom: 31° (Wide)~11° (Tele)	N50A-ML 3x Optical Zoom: 89° (Wide)~33° (Tele) N50A-ML 2.5x Optical Zoom: 30° (Wide)~13° (Tele)
Minimum Illumination	0.1 Lux, 0 Lux (IR On)	0.05 Lux, 0 Lux (IR On)	
Shutter Time (Sec.)	1/3~1/15000 or 1/4~1/15000 Selectable	1/3~1/15000 or 1/4~1/15000 Selectable	
Auto Iris	P-Iris	DC Drive	
S/N Ratio	More than 39 dB	More than 39 dB	
Day/Night	Yes, Built-in ICR, <10 Lux IR Enabled	Yes, Built-in ICR, <10 Lux IR Enabled	
Video Compression	Motion JPEG, MPEG-4, H.264 High Profile	Motion JPEG, MPEG-4, H.264 High Profile	
H.264/MJPEG	20 fps: 3 MP; 30 fps: HD-1080p, HD-720p, SXGA, 1024 x 768, 800 x 600, D1, VGA, QVGA, QQVGA	30 fps: HD-1080p, HD-720p, SXGA, 1024 x 768, 800 x 600, D1, VGA, QVGA, QQVGA	30 fps: SXGA, 1024 x 768, 800 x 600, D1, VGA, QVGA, QQVGA
MPEG4	30 fps: HD-1080p, HD-720p, SXGA, 1024 x 768, 800 x 600, D1, VGA, QVGA, QQVGA, Minilux Mode	30 fps: HD-1080p, HD-720p, SXGA, 1024 x 768, 800 x 600, D1, VGA, QVGA, QQVGA, Minilux Mode	30 fps: SXGA, 1024 x 768, 800 x 600, D1, VGA, QVGA, QQVGA
Video Streaming	Multiple Stream: Supports up to 4 Independent Streams with ROI (Region of Interest) Feature Controllable Framerate and Bandwidth CBR/VBR	Multiple Stream: Supports up to 4 Independent Streams with ROI (Region of Interest) Feature Controllable Framerate and Bandwidth CBR/VBR	
Video Output	SDTV- Composite Video	SDTV- Composite Video	
Image Setting	Compression, Brightness, Contrast, Mirroring, Sharpness, AWB, AES, AGC, BLC, Day/Night Mode, WDR, 4 Privacy Mask Regions	Compression, Brightness, Contrast, Mirroring, Sharpness, AWB, AES, AGC, BLC, Day/Night Mode, WDR, 4 Privacy Mask Regions	
Audio Compression	G.711, G.726, AAC	G.711, G.726, AAC	
Audio Input	Built-in Microphone, Line In x 1	Built-in Microphone, Line In x 1	
Audio Output	Line Out x 1	Line Out x 1	
Security	Password Protection, IP Address Filtering, User Access Privilege	Password Protection, IP Address Filtering, User Access Privilege	
Network Protocols	TCP/IP, UDP, DHCP, PPPoE, HTTP, HTTPS, DNS, DynDNS, NTP, FTP, SMTP, RTP, RTSP, RTCP, 3GPP, UPnP, IPv4, SAMBA Client (NAS), IGMP, ICMP, ARP	TCP/IP, UDP, DHCP, PPPoE, HTTP, HTTPS, DNS, DynDNS, NTP, FTP, SMTP, RTP, RTSP, RTCP, 3GPP, UPnP, IPv4, SAMBA Client (NAS), IGMP, ICMP, ARP	
Intelligent Video	Video Motion Detection	Video Motion Detection, Tamper Detection	
Alarm Trigger	Periodic Timer, Intelligent Video and External Digital Input	Periodic Timer, Intelligent Video and External Digital Input	
Alarm Event	Intelligent Video, File Upload via FTP and E-mail, E-mail Notification with Snapshot Attachment, External Output Activation, File Recording to SD Card Remote FTP or Remote NAS	Intelligent Video, File Upload via FTP and E-mail, E-mail Notification with Snapshot Attachment, External Output Activation, File Recording to SD Card Remote FTP or Remote NAS	
Web Browser	Microsoft IE, Mozilla Firefox, Google Chrome	Microsoft IE, Mozilla Firefox, Google Chrome	
Local Storage	microSD/SDHC Card Support	microSD/SDHC Card Support	
Casing	Metal (Aluminum), IP66, Vandal-proof	Metal (Aluminum), IP66, Vandal-proof	
Dimension	152 (Ø) x 98 (H) mm	152 (Ø) x 98 (H) mm	
Weight	1100 g	1100 g	
Power	Power over Ethernet IEEE 802.3af, Max. 9.5 W, 8~25 Vdc, 24 Vac	Power over Ethernet IEEE 802.3af, Max. 8.9 W, 8~25 Vdc, 24 Vac	
I/O Connectors	1. RJ-45 Female Type 10BASE-T/100BASE-TX 2. 2-pin Terminal Block for DC/AC Power Input 3. Audio Line In/Out 4. Alarm In/Out, RS-485 5. microSD Card Slot 6. Video Out Wafer 7. 2-pin External IR Trigger 8. 2-pin Wafer for External USB Wi-Fi Dongle 9. Reset	1. RJ-45 Female Type 10BASE-T/100BASE-TX 2. 2-pin Terminal Block for DC/AC Power Input 3. Audio Line In/Out 4. Alarm In/Out, RS-485 5. microSD Card Slot 6. Video Out Wafer 7. 2-pin External IR Trigger 8. 2-pin Wafer for External USB Wi-Fi Dongle 9. Reset	
Failover	microSD/SDHC Auto-recovery, Reset	microSD/SDHC Auto-recovery, Reset	
Operating Conditions	-40°C~55°C (-40°F~131°F) Humidity: 20%~80% RH	-10°C~55°C (14°F~131°F) Humidity: 20%~80% RH	
Wireless Support	Yes, Support External 802.11n USB Wi-Fi Dongle	Yes, Support External 802.11n USB Wi-Fi Dongle	
Included Accessories	QIG, Power Adapter, Power Cable, Video Out Cable, CD-ROM (User Manual, Free Bundle NVR)	QIG, Power Adapter, Power Cable, Video Out Cable, CD-ROM (User Manual, Free Bundle NVR)	
Approvals	FCC Part15 Subpart B, CE EN55022 Class B, EN55024, LVD, RoHS	FCC Part15 Subpart B, CE EN55022 Class B, EN55024, LVD, RoHS	
IR Range	15 M	15 M	
IR Wavelength	850 nm	850 nm	